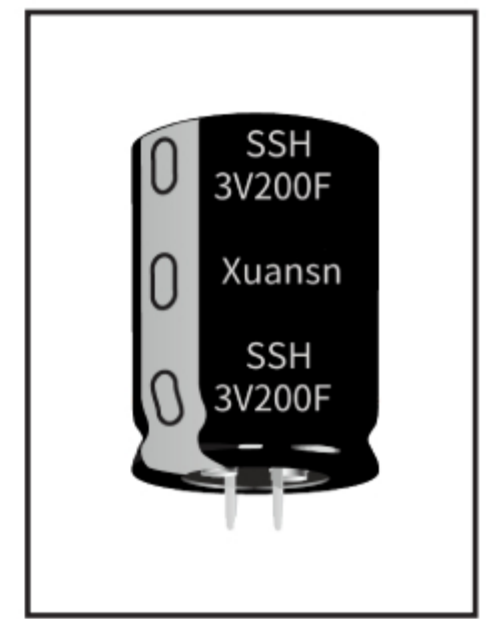


Features

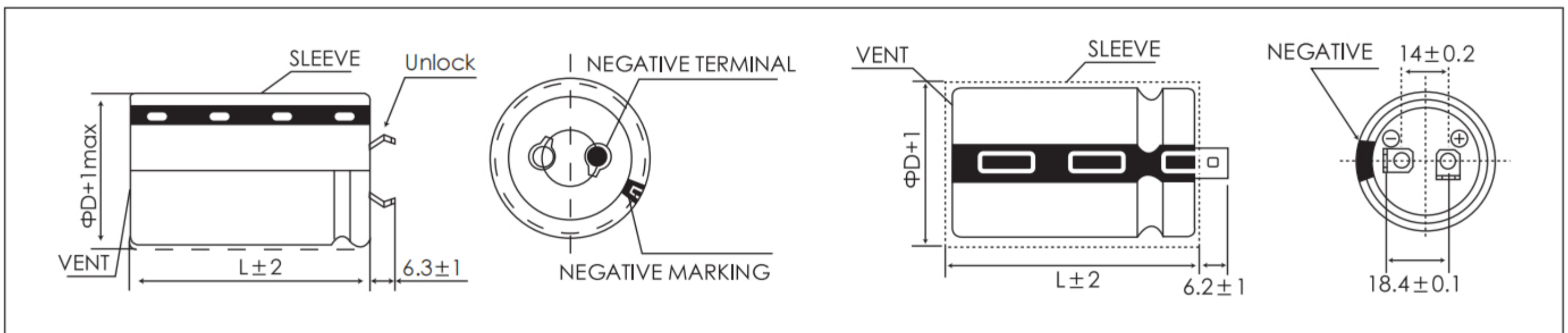
- High voltage product
- Wider temperature range
- RoHS compliant
- Electronic tools
- Portable power tools
- UPS and back power supply



Items	Characteristics		
Rated Voltage	3V		
Operating Temperature Range	-40 ~+65°C (-40 ~+85°C@2.5V)		
Surge Voltage	3.2V		
Capacitance Range	100~400F		
Capacitance Tolerance (25°C)	-10~+30%		
Temperature Characteristics	The specifications shall be met at category temperature range form -40°C to 65°C	Capacitance Change	Within 30% of the initial value at 25°C
		ESR	Less than 2 times of the initial specified value
High Temperature Loaded	The specifications shall be met after rated voltage applied at 65°C for 1500 hours	Capacitance Change	Within 30% of the initial value
		ESR	Less than 2 times of the initial specified value
High Temperature Storage	The specifications shall be met after storage at 65°C for 1000 hours	Capacitance Change	Within 30% of the initial value
		ESR	Less than 2 times of the initial specified value
Cycle Life	The specifications shall be met after 500,000 cycles at 25°C, cycle of charge/discharge from V_R to $1/2V_R$	Capacitance Change	Within 30% of the initial value
		ESR	Less than 2 times of the initial specified value

Dimensions

mm



Standard Ratings for SSH Series

U_R (Surge Voltage) Code	Rated Capacitance 25°C	Impedance		Leakage Current (72hrs)	Size $\Phi D \times L$	Weight	P/N
		ESR_{DC}	ESR_{AC} 1KHz				
(V)	(F)	(mΩ)	(mΩ)	(mA)	(mm)	(g)	-
3 (3.2) 3R0	100	12	8	0.3	22×45	20	
	200	10	6	0.7	30×50	36	
	350	3.5	3	1.0	35×60	64	
	400	3.2	2.8	1.0	35×60	70	